

AD serie

Overzicht



- Speciaal ontworpen voor continue bedrijf (S1) of cyclisch bedrijf (S5)
- Roestvast stalen behuizing, aluminium zwart geanodiseerde motor adapterplaat
- Roestvast stalen uitgaande as, flens ISO 9409
- Schuine vertanding
- Nominale koppels:
 - T_{2N} : 14 Nm – 2000 Nm
- Overbrengverhouding
 - 1-traps : 4 / 5 / 7 / 10
 - 2-traps : 20 / 25 / 35 / 40 / 50 / 70 / 100 / 16 / 21 / 31 / 61 / 91
- Spelingsarm
 - 1-traps : ≤ 3 arcmin / ≤ 5 arcmin
 - 2-traps : ≤ 5 arcmin / ≤ 7 arcmin

(voor ≤ 1 arcmin, neem contact met ons op)

- Hoog rendement
 - 1-traps : $\geq 97\%$
 - 2-traps : $\geq 94\%$
- Eenvoudige montage
- Laag geluidsniveau
- Zeer compacte bouw
- Bouwgrootte: AD047 / AD064 / AD090 / AD110 / AD140 / AD200 / AD255

Specificaties

Model No.	Stage	Ratio ¹	AD047	AD064	AD090	AD110	AD140	AD200	AD255	
		4	19	48	130	270	560	1,100	1,700	
	1	5	22	60	160	330	650	1,200	2,000	
		7	19	50	140	300	550	1,100	1,800	
		10	14	40	100	230	450	900	1,500	
Nominaal uitgangskoppel T _{2N}	Nm		20	19	48	130	270	560	1,100	1,700
			25	22	60	160	330	650	1,200	2,000
	2		35	19	50	140	300	550	1,100	1,800
			40	19	48	130	270	560	1,100	1,700
			50	22	60	160	330	650	1,200	2,000
			70	19	50	140	300	550	1,100	1,800
			100	14	40	100	230	450	900	1,500
			16	19	48	130	270	560	1,100	1,700
			21	22	60	160	330	650	1,200	2,000
			31	19	50	140	300	550	1,100	1,800
			61	19	50	140	300	550	1,100	1,800
			91	14	40	100	230	450	900	1,500
Noodstop koppel T _{2NOT} ³	Nm	1,2	4~100	3 keer Nominaal koppel T _{2N}						
Nominaal Ingangssnelheid N _{1N}	rpm	1,2	4~100	5,000	5,000	4,000	4,000	3,000	3,000	2,000
Max. Ingangssnelheid N _{1B}	rpm	1,2	4~100	10,000	10,000	8,000	8,000	6,000	6,000	4,000
Gereduceerde verdraaispeling P1	arcmin	1	4~10	≤ 3	≤ 3	≤ 3	≤ 3	≤ 3	≤ 3	≤ 3
		2	20~100	≤ 5	≤ 5	≤ 5	≤ 5	≤ 5	≤ 5	≤ 5
Standaard verdraaispeling P2	arcmin	1	4~10	≤ 5	≤ 5	≤ 5	≤ 5	≤ 5	≤ 5	≤ 5
		2	20~100	≤ 7	≤ 7	≤ 7	≤ 7	≤ 7	≤ 7	≤ 7
Torsie stijfheid	Nm/ arcmin	1,2	4~100	7	13	31	82	151	440	1,006
Max. Kiepmoment F _{2kB} ²	Nm	1,2	4~100	42.5	125	235	430	1,300	3,064	5,900
Max. axiale last F _{2b} ²	N	1,2	4~100	990	1,050	2,850	2,990	10,590	16,660	29,430
Service Life	hr	1,2	4~100	30,000 *						
Rendement	%	1	4~10	≥ 97 %						
		2	20~100	≥ 94 %						
Gewicht	kg	1	4~10	0.7	1.2	3.0	5.6	11.9	31.6	56.1
		2	20~100	1.0	1.6	3.7	7.3	15.9	36.9	70.4
			16~91	1.0	1.4	3.5	6.5	15.5	34.2	67.2
Bedrijfstemperatuur	°C	1,2	4~100	-10°C ~+ 90°C						
Smeermiddel		1,2	4~100	synthetisch tandwiel smeermiddel (NYOGEL 792D)						

Beschermingsklasse		1,2	4-100	IP65						
Montage positie		1,2	4-100	alle richtingen						
Geluidsniveau (n _i =3000rpm, No Load)	dB(A)	1,2	4-100	≤ 56	≤ 58	≤ 60	≤ 63	≤ 65	≤ 67	≤ 70

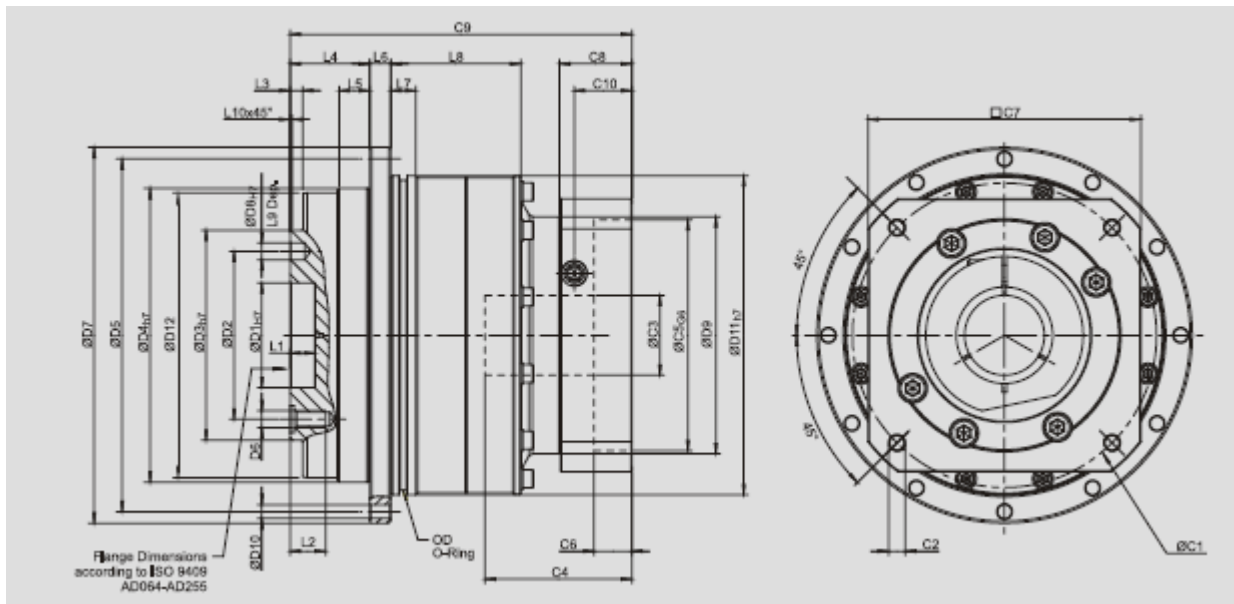
1. Overbrengverhouding (ratio) (i=N in / N out)
 2. Uitge oefend op het midden van de as @ 100 rpm
 3. Maximaal versnellingskoppel T2B = 60% van T2NOT
- * S1 service life 15.000 uur.

Massatraagheid

Bouwgrootte	Trap Ratio ¹	AD04	AD07	AD06	AD04	AD09	AD11	AD10	AD14	AD20	AD25	
Massatraagheid of inertia J ₁	1	4	0.03	0.14	0.51	2.87	7.54	25.03	58.31			
		5	0.03	0.13	0.47	2.71	7.42	23.29	53.27			
		7	0.03	0.13	0.45	2.62	7.14	22.48	50.97			
	kg*cm ²	10	0.03	0.13	0.44	2.57	7.03	22.51	50.56			
			20	0.03	0.03	0.13	0.47	2.71	7.42	23.29		
		25	0.03	0.03	0.13	0.47	2.71	7.42	23.29			
		35	0.03	0.03	0.13	0.47	2.71	7.42	23.29			
		40	0.03	0.03	0.13	0.44	2.57	7.03	22.51			
		50	0.03	0.03	0.13	0.44	2.57	7.03	22.51			
		2	70	0.03	0.03	0.13	0.44	2.57	7.03	22.51		
			100	0.03	0.03	0.13	0.44	2.57	7.03	22.51		
		16	0.03	0.03	0.13	0.47	2.71	7.42	23.29			
		21	0.03	0.03	0.13	0.47	2.71	7.42	23.29			
		31	0.03	0.03	0.13	0.44	2.57	7.03	22.51			
		61	0.03	0.03	0.13	0.44	2.57	7.03	22.51			
91	0.03	0.03	0.13	0.44	2.57	7.03	22.51					

Afmetingen

AD serie 1-traps, ratio i= 4~10



	AD047	AD064	AD090	AD110	AD140	AD200	AD255
D1 _{h7}	12	20	31.5	40	50	80	100
D2	20	31.5	50	63	80	125	140
D3 _{h7}	28	40	63	80	100	160	180
D4 _{h7}	47	64	90	110	140	200	255
D5	67	79	109	135	168	233	280
D6	4xM3x0.5P	7xM5x0.8P	7xM6x1P	11xM6x1P	11xM8x1.25P	11xM10x1.5P	12xM16x2P
D7	72	86	118	145	179	247	300
D8 _{h7}	3	5	6	6	8	10	12
D9	45.5	55	77	90	113	138	175
D10	8x3.4	8x4.5	8x5.5	8x5.5	12x6.6	12x9	16x13.5
D11 _{h7}	60	70	95	120	152	212	255
D12	46.2	63.2	89.2	109.2	139.2	199.2	254.2
L1	4	8	12	12	12	16	20
L2	6.5	8	13.5	13.5	17	22.5	30.5
L3	3	3	6	6	6	8	12
L4	19.5	19.5	30	29	38	50	66
L5	7	7	10	10	14.6	15	20
L6	4	4	7	8	10	12	18
L7	5	7.7	8	10	12	15	20
L8	18.5	28.5	27	37	62	69.5	82
L9	4	6	7	7	7	10	10
L10	0.5	0.5	1	1	1	1	1
C1 ³	46	70	100	130	165	215	235
C2 ³	M4 X 0.7P	M5 X 0.8P	M6 X 1P	M8 X 1.25P	M10 X 1.5P	M12 X 1.75P	M12 X 1.75P
C3 ³	≤11	*≤14 / ≤16	≤19 / ≤24	≤32	≤38	≤48	≤55
C4 ³	30	34	40	50	60	85	116
C5 ³ _{G6}	30	50	80	110	130	180	200
C6 ³	3.5	8	4	5	6	6	6
C7 ³	48	60	90	115	142	190	220
C8 ³	19.5	19	17	19.5	22.5	29	63
C9 ³	70	82.5	99.5	121.5	151	199.5	256.5
C10 ³	13.25	13.5	10.75	13	15	20.75	53.5

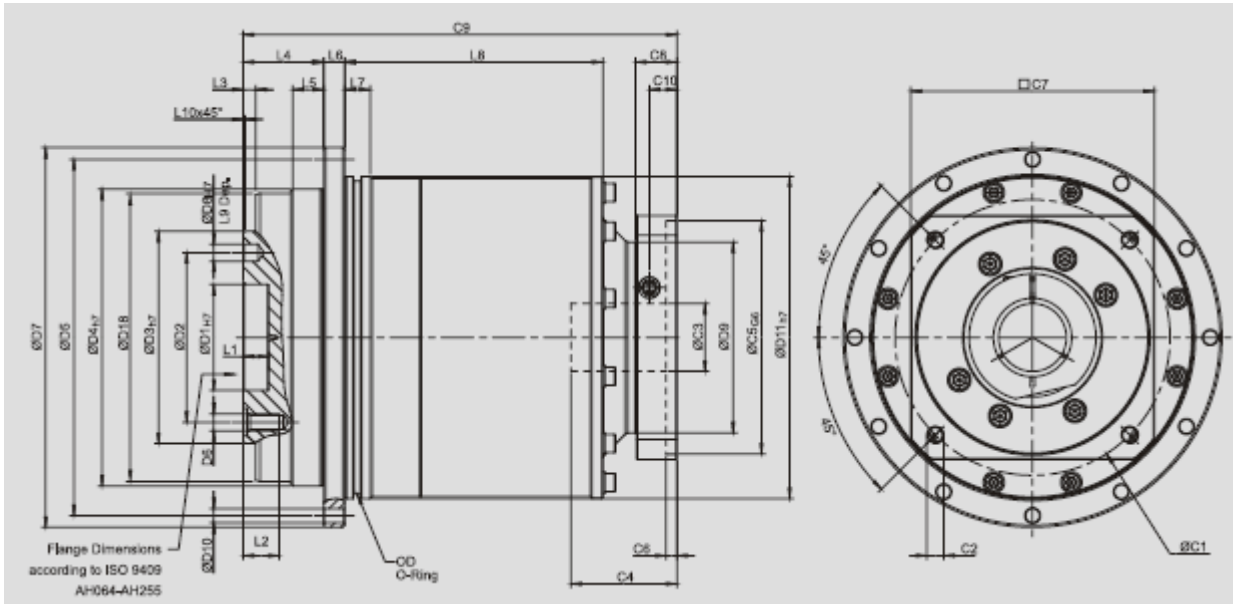
OD 56 X 2 66 X 2 90 X 3 110 X 3 145 X 3 200 X 5 238 X 5

3. C1~C10 zijn motor specifieke afmetingen.

* AD064M1 ratio 5,10 biedt C3 =16 optie.

* AD090M1 biedt C3 =24 optie.

AD serie 2-traps, ratio i= 20~100



	AD047	AD064	AD090	AD110	AD140	AD200	AD255
D1 _{h7}	12	20	31.5	40	50	80	100
D2	20	31.5	50	63	80	125	140
D3 _{h7}	28	40	63	80	100	160	180
D4 _{h7}	47	64	90	110	140	200	255
D5	67	79	109	135	168	233	280
D6	4 x M3 x 0.5P	7 x M5 x 0.8P	7 x M6 x 1P	11 x M6 x 1P	11 x M8 x 1.25P	11 x M10 x 1.5P	12 x M16 x 2P
D7	72	86	118	145	179	247	300
D8 _{h7}	3	5	6	6	8	10	12
D9	45.5	45.5	53.4	77	102	125	160
D10	8 x 3.4	8 x 4.5	8 x 5.5	8 x 5.5	12 x 6.6	12 x 9	16 x 13.5
D11 _{h7}	60	70	95	120	152	212	255
D12	46.2	63.2	89.2	109.2	139.2	199.2	254.2
L1	4	8	12	12	12	16	20
L2	6.5	8	13.5	13.5	17	22.5	30.5
L3	3	3	6	6	6	8	12
L4	19.5	19.5	30	29	38	50	66
L5	7	7	10	10	14.6	15	20
L6	4	4	7	8	10	12	18
L7	5	7.7	8	10	12	15	20
L8	54.5	65	60	87.5	110	132.5	148
L9	4	6	7	7	7	10	10
L10	0.5	0.5	1	1	1	1	1
C1 ⁴	46	46	70	100	130	165	200
C2 ⁴	M4 X 0.7P	M4 X 0.7P	M5 X 0.8P	M6 X 1P	M8 X 1.25P	M10 X 1.5P	M12 X 1.75P

C3 ⁴	≤11	*≤11 / ≤12	* ≤14 / ≤15.875 / ≤16	19 / ≤ 24	≤32	≤38	≤48
C4 ⁴	30	30	34	40	50	60	85
C5 ⁴ _{G6}	30	30	50	80	110	130	180
C6 ⁴	3.5	3.5	8	4	5	6	6
C7 ⁴	48	48	60	90	115	142	190
C8 ⁴	19.5	19.5	19	17	19.5	22.5	29
C9 ⁴	97.5	108	134	160	204	248	311.5
C10 ⁴	13.25	13.25	13.5	10.75	13	15	20.75
OD	56 X 2	66 X 2	90 X 3	110 X 3	145 X 3	200 X 5	238 X 5

4. C1~C10 zijn motor specifieke afmetingen.

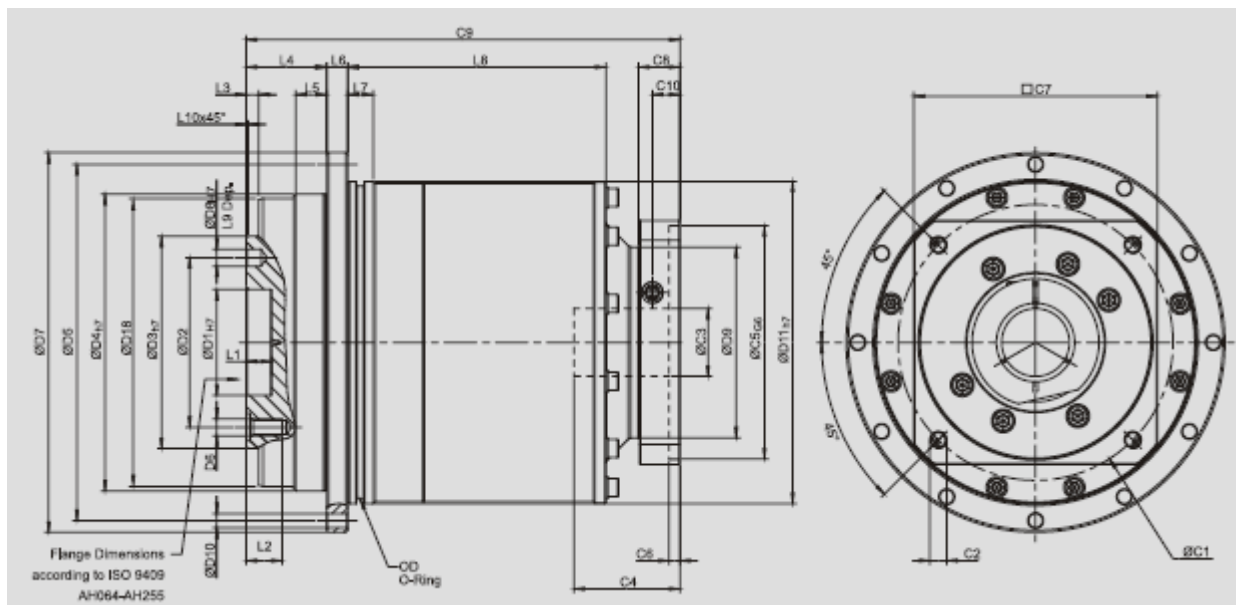
* AD064M1 ratio 20~50 biedt C3 =12 optie.

* AD090M1 ratio 20~50 biedt C3 =16 optie.

* AD090M2 ratio 20~50 biedt C3 =15,875 optie.

* AD110M1 biedt C3 =24 optie.

AD serie s2-traps, ratio i= 16~91



	AD047	AD064	AD090	AD110	AD140	AD200	AD255
D1 _{H7}	12	20	31.5	40	50	80	100
D2	20	31.5	50	63	80	125	140
D3 _{H7}	28	40	63	80	100	160	180
D4 _{H7}	47	64	90	110	140	200	255
D5	67	79	109	135	168	233	280
D6	4 X M3 X 0.5P	7 X M5 X 0.8P	7 X M6 X 1P	11 X M6 X 1P	11 X M8 X 1.25P	11 X M10 X 1.5P	12 X M16 X 2P
D7	72	86	118	145	179	247	300
D8 _{H7}	3	5	6	6	8	10	12
D9	45.5	45.5	55	77	90	113	138
D10	8 X 3.4	8 X 4.5	8 X 5.5	8 X 5.5	12 X 6.6	12 X 9	16 X 13.5
D11 _{H7}	60	70	95	120	152	212	255
D18	46.2	63.2	89.2	109.2	139.2	199.2	254.2
L1	4	8	12	12	12	16	20
L2	6.5	8	13.5	13.5	17	22.5	30.5

L3	3	3	6	6	6	8	12
L4	19.5	19.5	30	29	38	50	66
L5	7	7	10	10	14.6	15	20
L6	4	4	7	8	10	12	18
L7	5	7.7	8	10	12	15	20
L8	52.5	28.5	32	37	122	79.5	82
L9	4	6	7	7	7	10	10
L10	0.5	0.5	1	1	1	1	1
C1 ⁵	46	46	70	100	130	165	215
C2 ⁵	M4 X 0.7P	M4 X 0.7P	M5 X 0.8P	M6 X 1P	M8 X 1.25P	M10 X 1.5P	M12 X 1.75P
C3 ⁵	≤11	*≤11 / ≤12	* ≤14 / ≤15.875 / ≤16	≤ 19 / ≤ 24	≤32	≤38	≤48
C4 ⁵	30	30	34	40	50	60	85
C5 ⁵ _{G6}	30	30	50	80	110	130	180
C6 ⁵	3.5	3.5	8	4	5	6	6
C7 ⁵	48	48	60	90	115	142	190
C8 ⁵	19.5	19.5	19	17	19.5	22.5	29
C9 ⁵	100	106	130.5	149	205	247.5	323
C10 ⁵	13.25	13.25	13.5	10.75	13	15	20.75
OD	56 X 2	66 X 2	90 X 3	110 X 3	145 X 3	200 X 5	238 X 5

5. C1~C10 are motor specific dimensions.

* AD064M1 ratio 20~50 offers C3 =12 option.

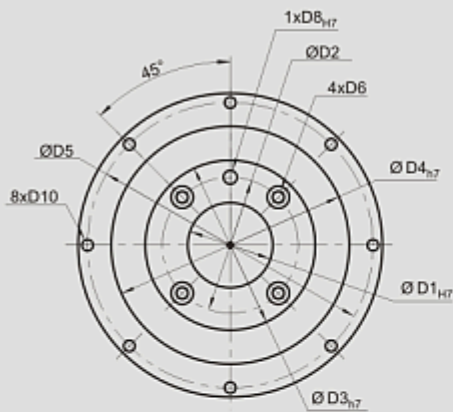
* AD090M1 ratio 20~50 offers C3 =16 option.

* AD090M2 ratio 20~50 offers C3 =15,875 option.

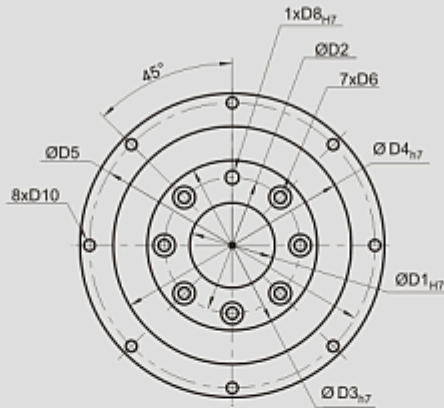
* AD110M1 offers C3 =24 option.

Afmetingen uitgaande flens (ISO 9409)

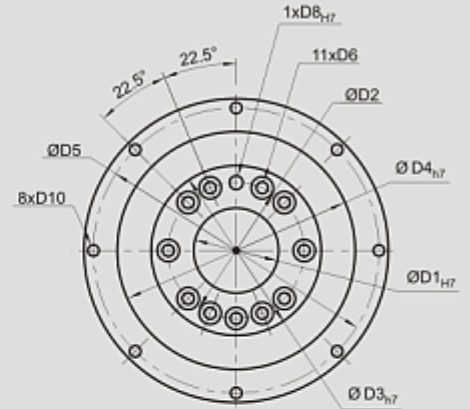
**AD 047
ADR 047
ADS 047**



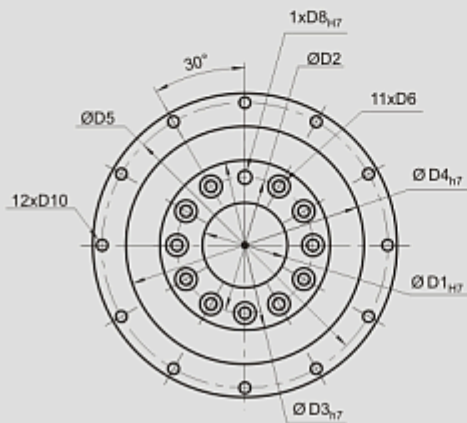
**AD 064 / AD 090
ADR 064 / ADR 090
ADS 064 / ADS 090**



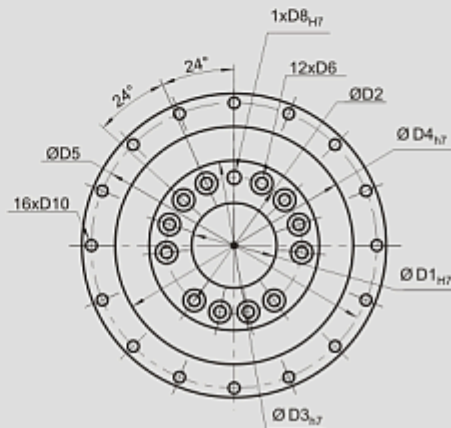
**AD 110
ADR 110
ADS 110**



**AD 140 / AD 200
ADR 140 / ADR 200
ADS 140 / ADS 200**



**AD 255
ADR 255
ADS 255**



	AD047	AD064	AD090	AD110	AD140	AD200	AD255
Dimension	ADR047	ADR064	ADR090	ADR110	ADR140	ADR200	ADR255
	ADS047	ADS064	ADS090	ADS110	ADS140	ADS200	ADS255
D1_{H7}	12	20	31.5	40	50	80	100
D2	20	31.5	50	63	80	125	140
D3_{H7}	28	40	63	80	100	160	180
D4_{H7}	47	64	90	110	140	200	255
D5	67	79	109	135	168	233	280
D6	M3 x 0.5P	M5 x 0.8P	M6 x 1P	M6 x 1P	M8 x 1.25P	M10 x 1.5P	M16 x 2P
D8_{H7}	3	5	6	6	8	10	12
D10	3.4	4.5	5.5	5.5	6.6	9	13.5