

ADS serie

Overzicht



- Speciaal ontworpen voor continue bedrijf (S1) of cyclisch bedrijf (S5)
- Roestvast stalen behuizing, aluminium zwart geanodiseerde motor adapterplaat
- Roestvast stalen massieve ingaande as en uitgaande as, flens ISO 9409
- Schuine vertanding
- Nominale koppels:
 - T_{2N} : 14 Nm – 2000 Nm
- Overbrengverhouding
 - 1-traps : 4 / 5 / 7 / 10
 - 2-traps : 16 / 21 / 31 / 61 / 91
- Spelingarm
 - 1-traps : ≤ 1 arcmin / ≤ 3 arcmin / ≤ 5 arcmin
 - 2-traps : ≤ 3 arcmin / ≤ 5 arcmin / ≤ 7 arcmin
- Hoog rendement
 - 1-traps : $\geq 97\%$
 - 2-traps : $\geq 94\%$
- Eenvoudige montage
- Laag geluidsniveau
- Zeer compacte bouw
- Bouwgrootte: ADS047 / ADS064 / ADS090 / ADS110 / ADS140 / ADS200 / ADS255

Specificaties

Bouwgrootte	Trap	Ratio ¹	ADS047	ADS064	ADS090	ADS110	ADS140	ADS200	ADS255	
	1	4	19	48	130	270	560	1,100	1,700	
		5	22	60	160	330	650	1,200	2,000	
		7	19	50	140	300	550	1,100	1,800	
		10	14	40	100	230	450	900	1,500	
Nominaal uitgangskoppel T _{2N}	Nm	2	16	19	48	130	270	560	1,100	1,700
			21	22	60	160	330	650	1,200	2,000
			31	19	50	140	300	550	1,100	1,800
			61	19	50	140	300	550	1,100	1,800
			91	14	40	100	230	450	900	1,500
Noodstop koppel T _{2NOT3}	Nm		1,2	4~91	3 keer Nominaal koppel T _{2N}					
Nominaal Ingangssnelheid N _{1N}	rpm	1,2	4~91	5,000	5,000	4,000	4,000	3,000	3,000	2,000
Max. Ingangssnelheid N _{1B}	rpm	1,2	4~91	10,000	10,000	8,000	7,500	4,500	4,500	3,800
Micro verdraaispeling P0	arcmin	1	4~10	-	-	≤ 1	≤ 1	≤ 1	≤ 1	≤ 1
		2	16~91	-	-	-	≤ 3	≤ 3	≤ 3	≤ 3
Reduced verdraaispeling P1	arcmin	1	4~10	≤ 3	≤ 3	≤ 3	≤ 3	≤ 3	≤ 3	≤ 3
		2	16~91	≤ 5	≤ 5	≤ 5	≤ 5	≤ 5	≤ 5	≤ 5
Standard verdraaispeling P2	arcmin	1	4~10	≤ 5	≤ 5	≤ 5	≤ 5	≤ 5	≤ 5	≤ 5
		2	16~91	≤ 7	≤ 7	≤ 7	≤ 7	≤ 7	≤ 7	≤ 7
Torsie stijfheid	Nm/ arcmin	1,2	4~91	3	7	14	25	50	145	225
Max. Buigmoment F _{2kB2}	Nm	1,2	4~91	42.5	125	235	430	1,300	3,064	5,900
Max. Axiale Last F _{2B2}	N	1,2	4~91	1,080	2,110	2,310	4,800	6,200	5,450	10,600
Ingang Max. Radiale Last F _{2rB2}	N	1	4~10	165	395	1,300	1,525	2,800	4,500	12,500
		2	16~91	165	395	395	1,300	1,525	2,800	4,500
Ingang Max. Axiale Last F _{2aB2}	N	1	4~10	580	1,000	1,100	980	2,700	4,700	8,000
		2	16~91	580	580	1,000	1,100	980	2,700	4,700
Service Life	hr	1,2	4~91	30,000 *						
Rendement	%	1	4~10	≥ 97 %						
		2	16~91	≥ 94 %						
Gewicht	kg	1	4~10	0.8	1.4	3.4	6.7	13.5	35.0	63.8
		2	16~91	1.1	1.6	4.0	7.3	16.6	36.4	74.7
Bedrijfstemperatuur	°C	1,2	4~91	-10°C ~+ 90°C						
Smeermiddel		1,2	4~91	synthetisch tandwiel smeermiddel (NYOGEL 792D)						
Beschermingsklasse		1,2	4~91	IP65						
Montage positie		1,2	4~91	alle richtingen						

Geluidsniveau
($n_1=3000$ rpm, No Load)

dB(A)

1,2

4-91

≤ 56

≤ 58

≤ 60

≤ 63

≤ 65

≤ 67

≤ 70

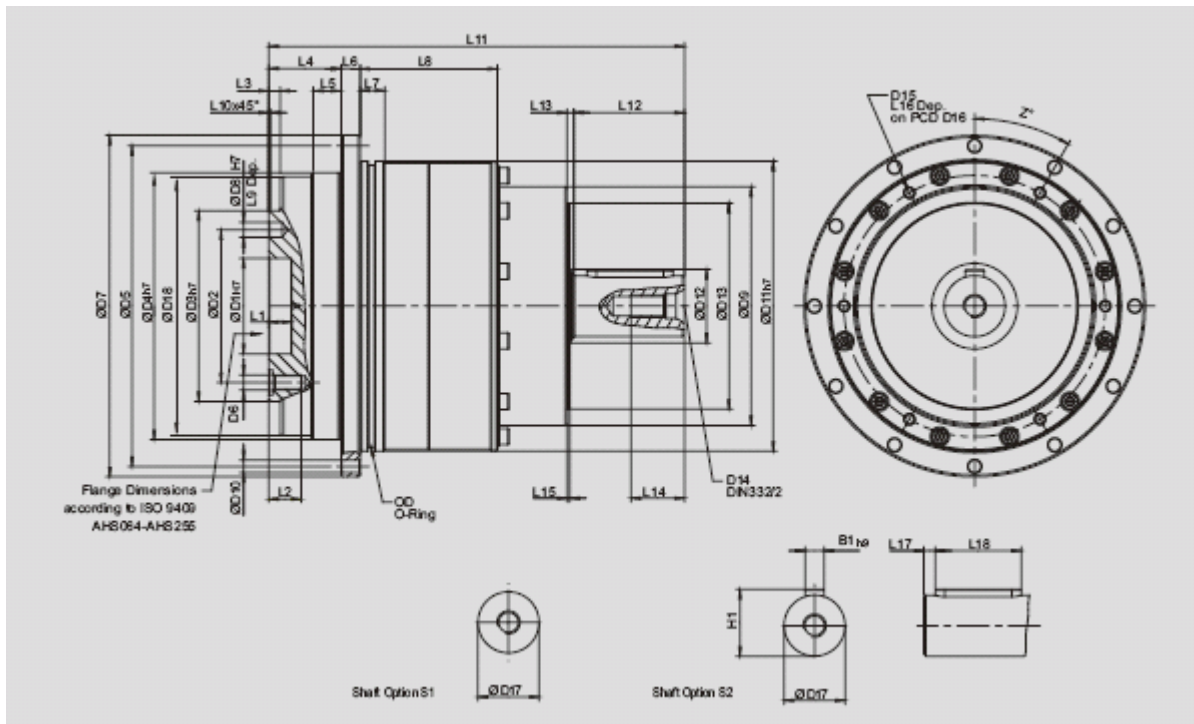
1. Overbrengverhouding (ratio) ($i=N$ in / N out)
 2. Uitgeoefend op uitgaande flens @ 100 rpm
 3. Maximaal versnellingskoppel $T_{2B} = 60\%$ van T_{2NOT}
- * S1 service life 15,000 hrs.

Massatraagheid

Bouwgrootte	Trap	Ratio ¹	ADS047	ADS064	ADS090	ADS110	ADS140	ADS200	ADS255
Massatraagheid of inertia J_1	1	4	0.06	0.21	0.87	3.65	10.27	43.05	102.68
		5	0.06	0.21	0.83	3.53	10.17	41.76	99.12
		7	0.06	0.21	0.82	3.47	9.99	41.15	97.41
		10	0.06	0.21	0.81	3.45	9.93	40.97	97.03
		16	0.06	0.06	0.21	0.83	3.53	10.17	41.76
	2	21	0.06	0.06	0.21	0.83	3.53	10.17	41.76
		31	0.06	0.06	0.21	0.83	3.53	10.17	41.76
		61	0.06	0.06	0.21	0.81	3.45	9.93	40.97
		91	0.06	0.06	0.21	0.81	3.45	9.93	40.97
			0.06	0.06	0.21	0.81	3.45	9.93	40.97

Afmetingen

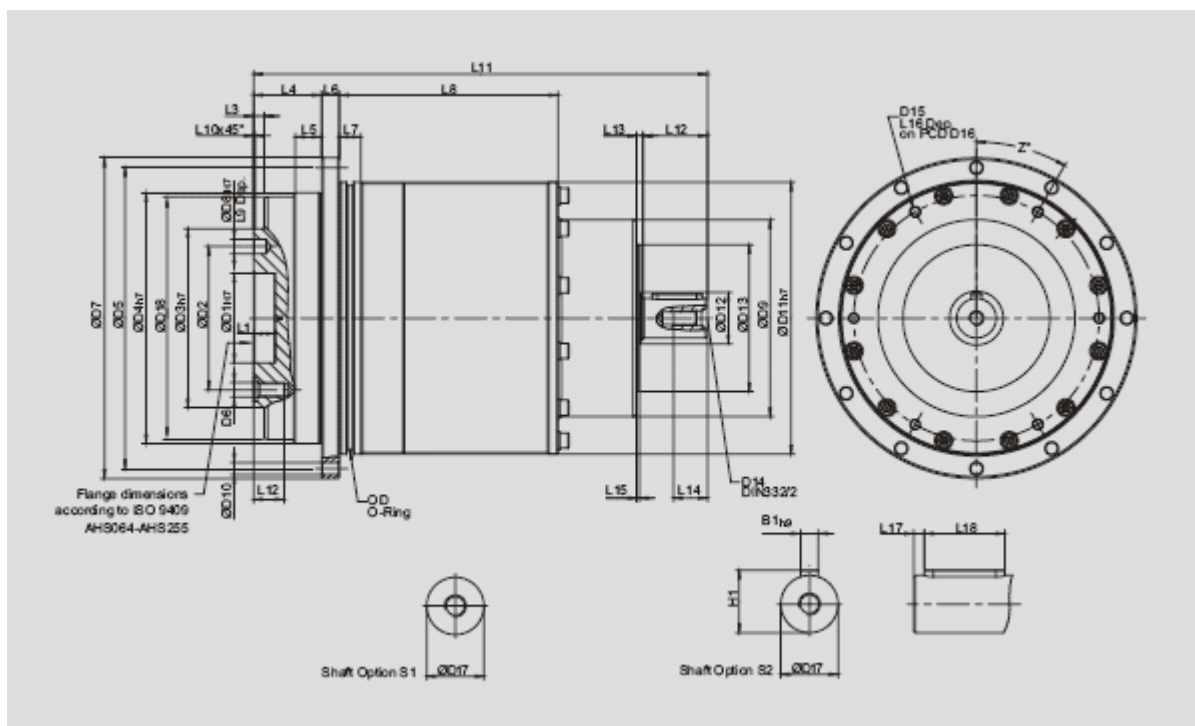
ADS serie 1-traps, ratio i= 4~10



	ADS047	ADS064	ADS090	ADS110	ADS140	ADS200	ADS255
D1 _{h7}	12	20	31.5	40	50	80	100
D2	20	31.5	50	63	80	125	140
D3 _{h7}	28	40	63	80	100	160	180
D4 _{h7}	47	64	90	110	140	200	255
D5	67	79	109	135	168	233	280
D6	4 X M3 X 0.5P	7 X M5 X 0.8P	7 X M6 X 1P	11 X M6 X 1P	11 X M8 X 1.25P	11 X M10 X 1.5P	12 X M16 X 2P
D7	72	86	118	145	179	247	300
D8 _{h7}	3	5	6	6	8	10	12
D9	43	55	78	100	125	175	210
D10	8 X 3.4	8 X 4.5	8 X 5.5	8 X 5.5	12 X 6.6	12 X 9	16 X 13.5
D11 _{h7}	60	70	95	120	152	212	255
D12	31	22	22	30	40	75	95
D13	37	50	62	82	108	145	172
D14	M4 x 0.7P	M4 x 0.7P	M5 x 0.8P	M8 x 1.25P	M12 x 1.75P	M16 x 2P	M20 x 2.5P
D15	M3 x 0.5P	M3 x 0.5P	M4 x 0.7P	M5 x 0.8P	M6 x 1P	M8 x 1.25P	M8 x 1.25P
D16	51.5	61.5	84	107	137	193	235
D17 _{k6}	11	14	16	22	32	40	55
D18	46.2	63.2	89.2	109.2	139.2	199.2	254.2
L1	4	8	12	12	12	16	20
L2	6.5	8	13.5	13.5	17	22.5	30.5
L3	3	3	6	6	6	8	12
L4	19.5	19.5	30	29	38	50	66
L5	7	7	10	10	14.6	15	20
L6	4	4	7	8	10	12	18
L7	5	7.7	8	10	12	15	20
L8	32.5	43.5	47	62	72	89.5	112
L9	4	6	7	7	7	10	10
L10	0.5	0.5	1	1	1	1	1

L11	89.5	110.5	138.5	170	218	296	372.5
L12	18	22	28	36	58	82	115
L13	2.5	2.5	3.5	3.5	3.5	4.5	4.5
L14	10	10	12.5	19	28	36	42
L15	1.5	1.5	1.5	1.5	1.5	1.5	1.5
L16	5.5	5.5	7	9	11	14	14
L17	2	2	3	3	6	6	7
L18	14	18	22	28	45	70	90
B _{1h9}	4	5	5	6	10	12	16
H1	12.5	16	18	24.5	35	43	59
OD	56 X 2	66 X 2	90 X 3	110 X 3	145 X 3	200 X 5	238 X 5
V	4	4	4	4	6	6	6
Z	45	45	45	45	30	30	30

ADS serie 2-traps, ratio i= 16~91

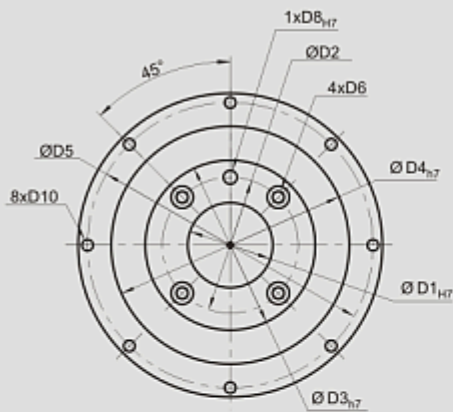


	ADS047	ADS064	ADS090	ADS110	ADS140	ADS200	ADS255
D1 _{H7}	12	20	31.5	40	50	80	100
D2	20	31.5	50	63	80	125	140
D3 _{H7}	28	40	63	80	100	160	180
D4 _{H7}	47	64	90	110	140	200	255
D5	67	79	109	135	168	233	280
D6	4 X M3 X 0.5P	7 X M5 X 0.8P	7 X M6 X 1P	11 X M6 X 1P	11 X M8 X 1.25P	11 X M10 X 1.5P	12 X M16 X 2P
D7	72	86	118	145	179	247	300
D8 _{H7}	3	5	6	6	8	10	12
D9	43	48	68	86	110	132	182
D10	8 X 3.4	8 X 4.5	8 X 5.5	8 X 5.5	12 X 6.6	12 X 9	16 X 13.5
D11 _{H7}	60	70	95	120	152	212	255
D12	22	22	22	22	30	40	75
D13	37	37	50	62	82	108	145

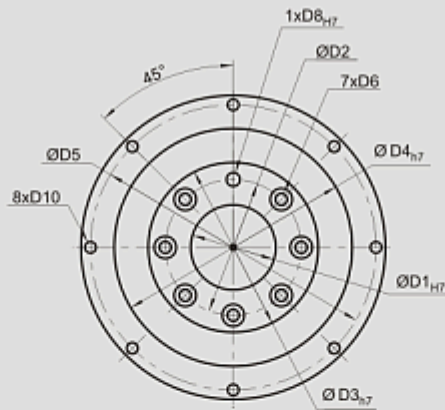
D14	M4 x 0.7P	M4 x 0.7P	M4 x 0.7P	M5 x 0.8P	M8 x 1.25P	M12 x 1.75P	M16 x 2P
D15	M3 x 0.5P	M3 x 0.5P	M4 x 0.7P	M5 x 0.8P	M6 x 1P	M8 x 1.25P	M10 x 1.5P
D16	51.5	61.5	84	107	137	193	235
D17 _{ks}	11	11	14	16	22	32	40
D18	46.2	63.2	89.2	109.2	139.2	199.12	254.2
L1	4	8	12	12	12	16	20
L2	6.5	8	13.5	13.5	17	22.5	30.5
L3	3	3	6	6	6	8	12
L4	19.5	19.5	30	29	38	50	66
L5	7	7	10	10	14.6	15	20
L6	4	4	7	8	10	12	18
L7	5	7.7	8	10	12	15	20
L8	62.5	63.5	67	82	122	79.5	177
L9	4	6	7	7	7	10	10
L10	0.5	0.5	1	1	1	1	1
L11	119.5	125.5	158.5	188	253.5	314.5	419.5
L12	18	18	22	28	36	58	82
L13	2.5	2.5	2.5	3.5	3.5	3.5	4.5
L14	10	10	10	12.5	19	28	36
L15	1.5	1.5	1.5	1.5	1.5	1.5	1.5
L16	5.5	5.5	7	9	11	14	18
L17	2	2	2	3	3	6	6
L18	14	14	18	22	28	45	70
B1 _{h9}	4	4	5	5	6	10	12
H1	12.5	12.5	16	18	24.5	35	43
OD	56 X 2	66 X 2	90 X 3	110 X 3	145 X 3	200 X 5	238 X 5
V	4	4	4	4	6	6	6
Z	45	45	45	45	30	30	30

Afmetingen uitgaande flens (ISO 9409)
ADS serie

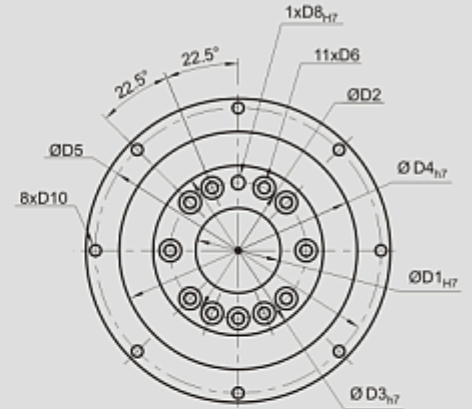
**AD 047
ADR 047
ADS 047**



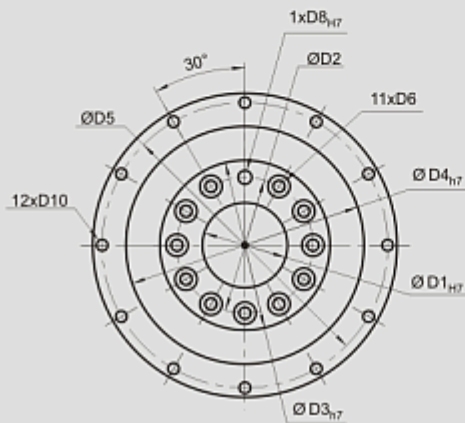
**AD 064 / AD 090
ADR 064 / ADR 090
ADS 064 / ADS 090**



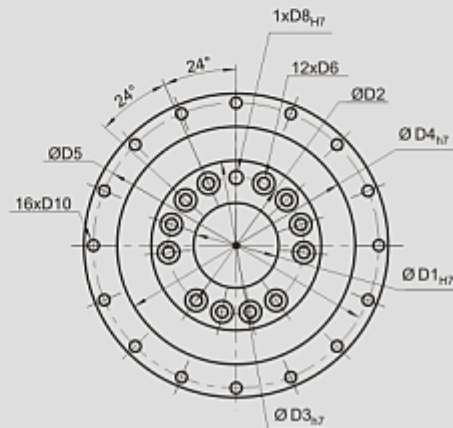
**AD 110
ADR 110
ADS 110**



**AD 140 / AD 200
ADR 140 / ADR 200
ADS 140 / ADS 200**



**AD 255
ADR 255
ADS 255**



	AD047	AD064	AD090	AD110	AD140	AD200	AD255
Dimension	ADR047	ADR064	ADR090	ADR110	ADR140	ADR200	ADR255
	ADS047	ADS064	ADS090	ADS110	ADS140	ADS200	ADS255
D1_{H7}	12	20	31.5	40	50	80	100
D2	20	31.5	50	63	80	125	140
D3_{H7}	28	40	63	80	100	160	180
D4_{H7}	47	64	90	110	140	200	255
D5	67	79	109	135	168	233	280
D6	M3 x 0.5P	M5 x 0.8P	M6 x 1P	M6 x 1P	M8 x 1.25P	M10 x 1.5P	M16 x 2P
D8_{H7}	3	5	6	6	8	10	12
D10	3.4	4.5	5.5	5.5	6.6	9	13.5