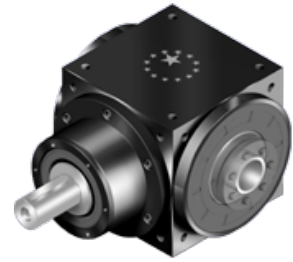


ATB-C serie

Overzicht



- Spiraal kegelwiel reductor met één ingaande as en haakse uitgaande doorlopende holle as
- Stalen behuizing, gebruneerd
- Stalen uitgaande holle as met krimpschijven (worden meegeleverd)
- Nominale koppels:
 - T_{2N} : 12 Nm – 3.200 Nm
- Overbrengverhouding
 - 1-stage : 1 / 1,5 / 2 / 3 / 4 / 5
- Spelingarm
 - 1-traps : ≤ 6 arcmin
- Hoog rendement
 - 1-traps : $\geq 98\%$
- Eenvoudige montage
- Compacte bouw
- Bouwgrootte: ATB065C / ATB075C / ATB090C / ATB110C / ATB140C / ATB170C / ATB210C / ATB240C / ATB280C

Specificaties

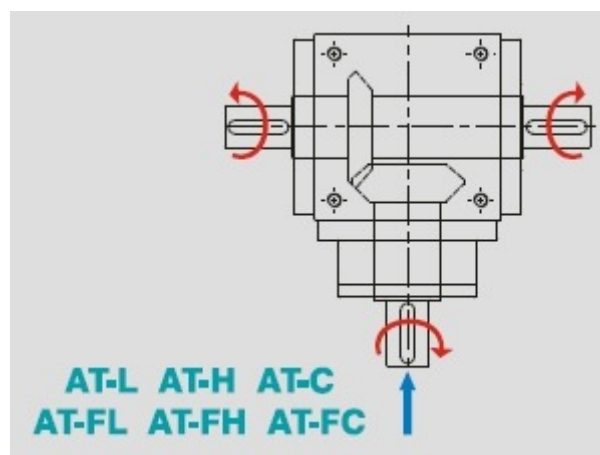
| Bouwgrootte | | Trap | Ratio ¹ | ATB065 | CATB075 | CATB090 | CATB110 | CATB140 | CATB170 | CATB210 | CATB240 | CATB280C |
|--|--------|------|--------------------|--|---------|---------|---------|---------|---------|---------|---------|----------|
| Nominaal uitgangskoppel T _{2N} | Nm | 1 | 1 | 25 | 45 | 78 | 150 | 360 | 585 | 1,300 | 2,150 | 3,200 |
| | | | 1.5 | 25 | 45 | 78 | 150 | 360 | 585 | 1,300 | 2,150 | 3,200 |
| | | | 2 | 24 | 42 | 68 | 150 | 330 | 544 | 1,220 | 2,010 | 3,050 |
| | | | 3 | 18 | 33 | 54 | 120 | 270 | 450 | 1,020 | 1,650 | 2,850 |
| | | | 4 | 13 | 28 | 48 | 100 | 224 | 376 | 860 | 1,410 | 2,300 |
| | | | 5 | 12 | 25 | 40 | 85 | 196 | 320 | 740 | 1,210 | 2,000 |
| Max Versnellingskoppel T _{2B} | Nm | 1 | 1~5 | 1.5 keer Nominaal koppel T _{2N} | | | | | | | | |
| Max. Versnelling Ingangssnelheid n _{1B} | rpm | 1 | 1~5 | 7,500 | 6,500 | 5,500 | 4,500 | 3,500 | 3,000 | 2,200 | 2,000 | 1,700 |
| Verdaaispeling* | arcmin | 1 | 1~5 | ≤ 6 | ≤ 6 | ≤ 6 | ≤ 6 | ≤ 6 | ≤ 6 | ≤ 6 | ≤ 6 | ≤ 6 |
| Max. Radiale Last F _{1aB} 2 Ingang d1 | N | 1 | 1~5 | 700 | 950 | 1,450 | 2,100 | 2,700 | 3,800 | 7,800 | 9,600 | 10,500 |
| Max. Radiale Last F _{2aB} 3 Uitgang d2 | N | 1 | 1~5 | 900 | 1,100 | 1,700 | 2,700 | 4,800 | 6,600 | 11,500 | 16,000 | 18,000 |
| Max. Axiale Last F _{1aB} 2 Ingang d1 | N | 1 | 1~5 | 350 | 425 | 725 | 1,050 | 1,350 | 1,900 | 3,900 | 4,800 | 5,250 |
| Max. Axiale Last F _{2aB} 3 Uitgang d2 | N | 1 | 1~5 | 450 | 550 | 850 | 1,350 | 2,400 | 3,300 | 5,750 | 8,500 | 9,000 |
| Service Life | hr | 1 | 1~5 | 20,000* | | | | | | | | |
| Rendement | % | 1 | 1~5 | ≥ 98 % | | | | | | | | |
| Gewicht | kg | 1 | 1~5 | 2.8 | 4.2 | 6.9 | 11.4 | 19.6 | 33.7 | 63.3 | 97.9 | 149.1 |
| Bedrijfstemperatuur | °C | 1 | 1~5 | -10°C~+90°C | | | | | | | | |
| Smeermiddel | | 1 | 1~5 | synthetisch smeermiddel, ISO VG 150 | | | | | | | | |
| Geluidsniveau (n ₁ =1500 rpm, No Load) | dB(A) | 1 | 1~5 | ≤68 | ≤70 | ≤74 | ≤76 | ≤77 | ≤78 | ≤80 | ≤82 | ≤83 |

1. Overbrengverhouding (ratio) ($i=N_{in} / N_{out}$)
2. Uitge oefend op het midden van de ingaande as @ 100 rpm
3. Uitge oefend op het midden van de uitgaande as @ 100 rpm

* S1 service life 10,000 uren

* Verdraaispeling is gemeten met 2% van het Nominaal koppel T_{2N}

Draairichting

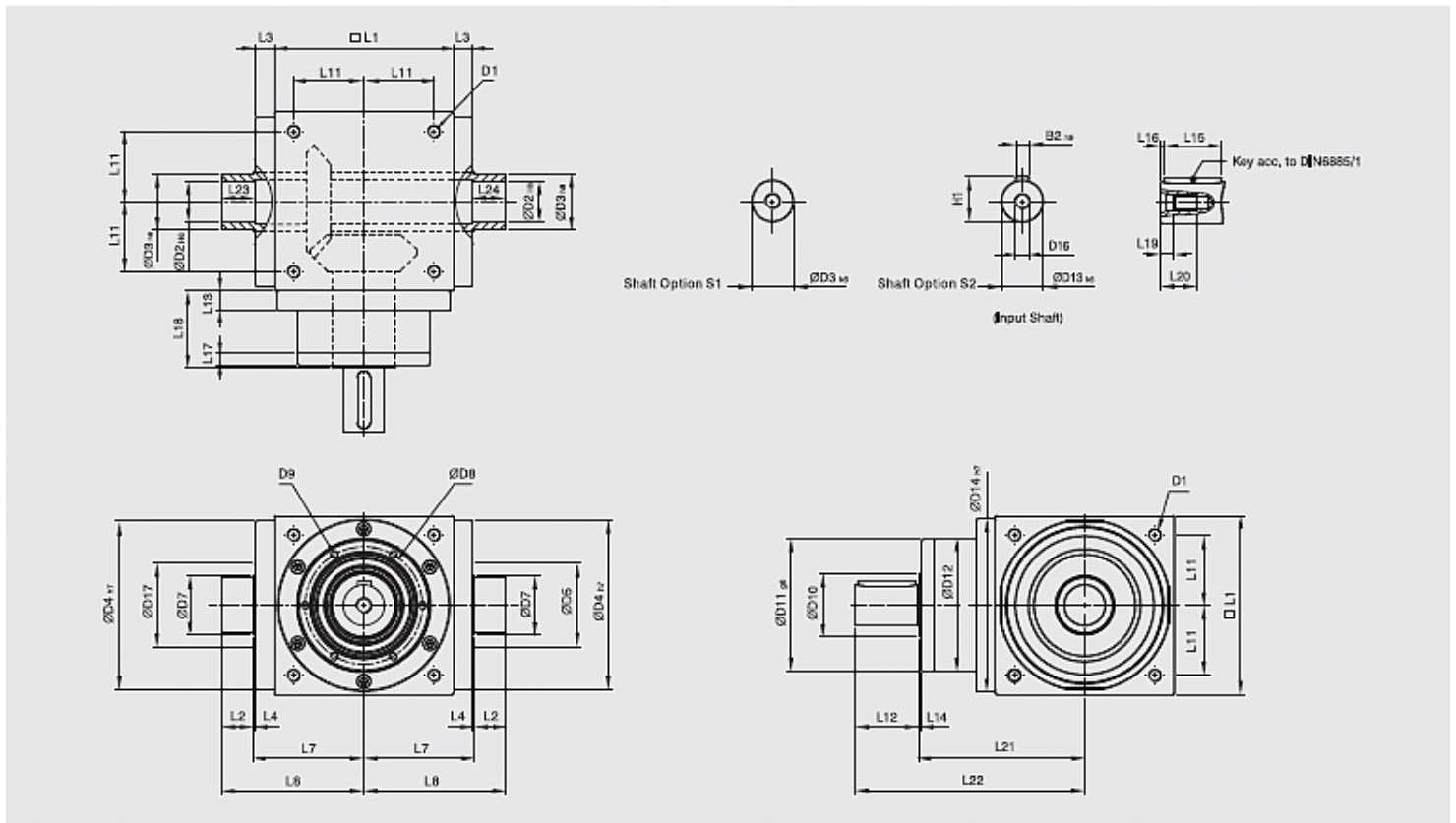


Massatraagheid

| Bouwgrootte | Trap | Ratio ¹ | ATB 065C | ATB 075C | ATB 090C | ATB 110C | ATB 140C | ATB 170C | ATB 210C | ATB 240C | ATB 280C |
|------------------------------------|------|--------------------|-------------|-------------|-------------|-------------|-------------|-------------|-------------|-------------|-------------|
| Massatraagheid of inertia J_1 | 1 | 1 | 0.51 | 1.30 | 3.16 | 7.70 | 23.57 | 58.99 | 195.40 | 369.34 | 799.12 |
| | | 1.5 | 0.64 | 1.16 | 2.82 | 6.74 | 19.37 | 49.28 | 155.45 | 283.58 | 595.78 |
| | | 2 | 0.44 | 1.11 | 2.70 | 6.31 | 17.75 | 45.35 | 140.24 | 249.74 | 511.76 |
| | | 3 | 0.43 | 1.09 | 2.66 | 6.17 | 17.18 | 44.01 | 134.95 | 237.71 | 483.06 |
| | | 4 | 0.43 | 1.09 | 2.65 | 6.13 | 17.06 | 43.70 | 133.58 | 234.72 | 476.26 |
| | | 5 | 0.43 | 1.09 | 2.65 | 6.12 | 17.02 | 43.60 | 133.14 | 233.67 | 473.58 |

Afmetingen

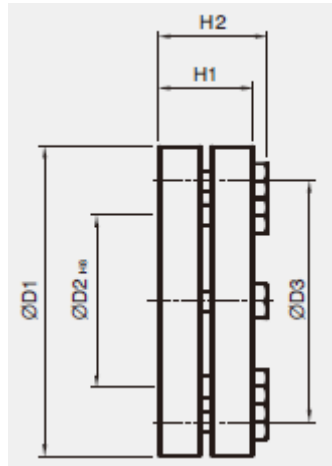
ATB-C serie 1-traps



| | ATB065C | ATB075C | ATB090C | ATB110C | ATB140C | ATB170C | ATB210C | ATB240C | ATB280C |
|-------------------|---------|---------|---------|----------|----------|------------|------------|------------|-----------|
| D1 | M4 | M6 | M6 | M8 | M10 | M12 | M16 | M16 | M16 |
| D2 _{H6} | 13 | 14 | 18 | 22 | 32 | 40 | 50 | 55 | 60 |
| D3 _{H8} | 16 | 16 | 22 | 25 | 44 | 50 | 62 | 68 | 75 |
| D4 _{H7} | 63 | 73 | 88 | 108 | 135 | 165 | 205 | 235 | 275 |
| D5 | 31 | 35 | 43 | 53 | 68 | 83 | 104 | 124 | 144 |
| D7 | 21 | 22 | 28 | 33 | 47 | 55 | 75 | 85 | 110 |
| D8 | 53 | 62 | 76 | 95 | 92 | 114 | 142 | 160 | 176 |
| D9 | 4xM4xL7 | 4xM5xL8 | 4xM5xL8 | 6xM6xL10 | 6xM6xL10 | 6xM8xL12.5 | 6xM8xL12.5 | 6xM8xL12.5 | 6xM10xL15 |
| D10 | 15.4 | 20.4 | 25.8 | 35.8 | 49.8 | 59.3 | 79.3 | 92.3 | 102.3 |
| D11 _{G6} | 62.9 | 72.9 | 87 | 107 | 103 | 127 | 158 | 178 | 198 |
| D12 | 62 | 72 | 86 | 106 | 104 | 128 | 160 | 180 | 200 |
| D13 _{K6} | 13 | 16 | 18 | 22 | 32 | 40 | 50 | 55 | 60 |
| D14 _{H7} | 63 | 73 | 88 | 108 | 135 | 165 | 205 | 235 | 275 |
| D16 | M4 | M5 | M5 | M8 | M12 | M16 | M16 | M16 | M20 |
| L1 | 65 | 75 | 90 | 110 | 140 | 170 | 210 | 240 | 280 |
| L2 | 14 | 14 | 18 | 18 | 24 | 26 | 29 | 29 | 30.5 |
| L3 | 13 | 14.5 | 15 | 15 | 15 | 15 | 20 | 25 | 25 |
| L4 | 2 | 2 | 2 | 2 | 2 | 2 | 2 | 2 | 2 |
| L7 | 47.5 | 54 | 62 | 72 | 87 | 102 | 127 | 147 | 167 |
| L8 | 61.5 | 68 | 80 | 90 | 111 | 128 | 156 | 176 | 197.5 |
| L11 | 27 | 30 | 36 | 44 | 55 | 67 | 85 | 95 | 110 |
| L12 | 19.5 | 30 | 35 | 40 | 50 | 60 | 75 | 85 | 110 |
| L13 | 13 | 15 | 15 | 15 | 15 | 15 | 20 | 25 | 25 |
| L14 | 2 | 2 | 2 | 2 | 2 | 2 | 2 | 2 | 2 |
| L15 | 16 | 25 | 28 | 32 | 45 | 50 | 70 | 80 | 100 |
| L16 | 2 | 2.5 | 3.5 | 4 | 2.5 | 5 | 2.5 | 2.5 | 5 |
| L17 | 6 | 8 | 8 | 8 | 10 | 10 | 10 | 10 | 10 |

| | | | | | | | | | |
|------------------|------|------|------|------|-----|-----|------|-----|-----|
| L18 | 43 | 52.5 | 55 | 60 | 60 | 70 | 90 | 105 | 120 |
| L19 | 4.5 | 4.8 | 4.8 | 7.2 | 10 | 12 | 12 | 12 | 15 |
| L20 | 10 | 12.5 | 12.5 | 19 | 28 | 36 | 36 | 36 | 42 |
| L21 | 75.5 | 90 | 100 | 115 | 130 | 155 | 195 | 225 | 260 |
| L22 | 95 | 120 | 135 | 155 | 180 | 215 | 270 | 310 | 370 |
| L23 | 40 | 47 | 55 | 60 | 70 | 80 | 95 | 115 | 130 |
| L24 | 30 | 32 | 35 | 40 | 50 | 55 | 65 | 80 | 80 |
| B2 _{h9} | 5 | 5 | 6 | 6 | 10 | 12 | 14 | 16 | 18 |
| H2 | 15 | 18 | 20.5 | 24.5 | 35 | 43 | 53.5 | 59 | 64 |

Shrink disc



| C / FC Serie | D1 | D2 | D3 | H1 | H2 |
|--------------|-----|----|-----|------|------|
| SSD-d16xdw14 | 41 | 16 | 26 | 15 | 18,5 |
| SSD-d22xdw18 | 50 | 22 | 36 | 19,5 | 23 |
| SSD-d25xdw22 | 50 | 25 | 38 | 19,5 | 23 |
| SSD-d44xdw32 | 80 | 44 | 61 | 25,5 | 29,5 |
| SSD-d50xdw40 | 90 | 50 | 70 | 27,5 | 31,5 |
| SSD-d62xdw50 | 110 | 62 | 86 | 30,5 | 34,5 |
| SSD-d68xdw55 | 115 | 68 | 86 | 30,5 | 34,5 |
| SSD-d75xdw60 | 138 | 75 | 100 | 32,5 | 38 |