

AE Serie

Overzicht



- Speciaal ontworpen voor continue bedrijf (S1) of cyclisch bedrijf (S5)
- Roestvast stalen ronde behuizing, aluminium zwart geanodiseerde motor adapterplaat
- Roestvast stalen uitgaande as met spie
- Schuine vertanding
- Nominale koppels:
 - T_{2N} : 14 Nm – 2000 Nm
- Overbrengverhouding
 - 1-traps : 3 / 4 / 5 / 6 / 7 / 8 / 9 / 10
 - 2-traps : 15 / 20 / 25 / 30 / 35 / 40 / 45 / 50 / 60 / 70 / 80 / 90 / 100
- Spelingarm
 - 1-traps : ≤ 8 arcmin
 - 2-traps : ≤ 12 arcmin
- Hoog rendement
 - 1-traps : $\geq 97\%$
 - 2-traps : $\geq 94\%$
- Eenvoudige montage
- Laag geluidsniveau
- Compacte bouw
- Bouwgrootte: AE050 / AE070 / AE090 / AE120 / AE155 / AE205 / AE235

Specificaties

Bouwgrootte	Trap	Ratio ¹	AE050	AE070	AE090	AE120	AE155	AE205	AE235		
Nominaal uitgangskoppel T _{2N}	1	3	20	55	130	208	342	588	1,140		
		4	19	50	140	290	542	1,050	1,700		
		5	22	60	160	330	650	1,200	2,000		
		6	20	55	150	310	600	1,100	1,900		
		7	19	50	140	300	550	1,100	1,800		
		8	17	45	120	260	500	1,000	1,600		
		9	14	40	100	230	450	900	1,500		
		10	14	40	100	230	450	900	1,500		
		2	15	20	55	130	208	342	588	1,140	
			20	19	50	140	290	542	1,050	1,700	
	25		22	60	160	330	650	1,200	2,000		
	30		20	55	150	310	600	1,100	1,900		
	35		19	50	140	300	550	1,100	1,800		
	40		17	45	120	260	500	1,000	1,600		
	45		14	40	100	230	450	900	1,500		
	50		22	60	160	330	650	1,200	2,000		
	Nm	60	20	55	150	310	600	1,100	1,900		
		70	19	50	140	300	550	1,100	1,800		
80		17	45	120	260	500	1,000	1,600			
90		14	40	100	230	450	900	1,500			
100		14	40	100	230	450	900	1,500			
Noodstop koppel T _{2NOT3}		Nm	1,2	3~100	3 times of nominal output torque						
Nominaal Ingangssnelheid N _{1N}		rpm	1,2	3~100	5,000	5,000	4,000	4,000	3,000	3,000	2,000
Max. Ingangssnelheid N _{1B}		rpm	1,2	3~100	10,000	10,000	8,000	8,000	6,000	6,000	4,000
Verdraaispeling		arcmin	1	3~10	≤ 8	≤ 8	≤ 8	≤ 8	≤ 8	≤ 8	≤ 8
			2	15~100	≤ 12	≤ 12	≤ 12	≤ 12	≤ 12	≤ 12	≤ 12
Torsie stijfheid	Nm/arcmin	1,2	3~100	3	7	14	25	50	145	225	
Max. radiale last F _{2rB2}	N	1,2	3~100	702	1,377	2,985	6,100	8,460	13,050	8,700	
Max. axiale last	F _{2a1B2}	N	1,2	3~100	350	630	1,300	2,400	4,000	6,200	4,800
	F _{2a2B2}	N	1,2	3~100	390	765	1,625	3,350	4,700	7,250	18,000
Service Life	hr	1,2	3~100	20,000 *							
Rendement	%	1	3~10	≥ 97 %							
		2	15~100	≥ 94 %							
Gewicht	kg	1	3~10	0.6	1.4	3.3	6.9	13	31	53	
		2	15~100	0.9	1.6	4.7	8.7	17	35	66	
Bedrijfstemperatuur	°C	1,2	3~100	-10°C ~+ 90°C							
Smeermiddel		1,2	3~100	synthetisch tandwiel smeermiddel (NYOGEL 792D)							
Beschermingsklasse		1,2	3~100	IP65							
Montage positie		1,2	3~100	alle richtingen							
Geluidsniveau (n ₁ =3000 rpm, No Load)	dB(A)	1,2	3~100	≤ 56	≤ 58	≤ 60	≤ 63	≤ 65	≤ 67	≤ 70	

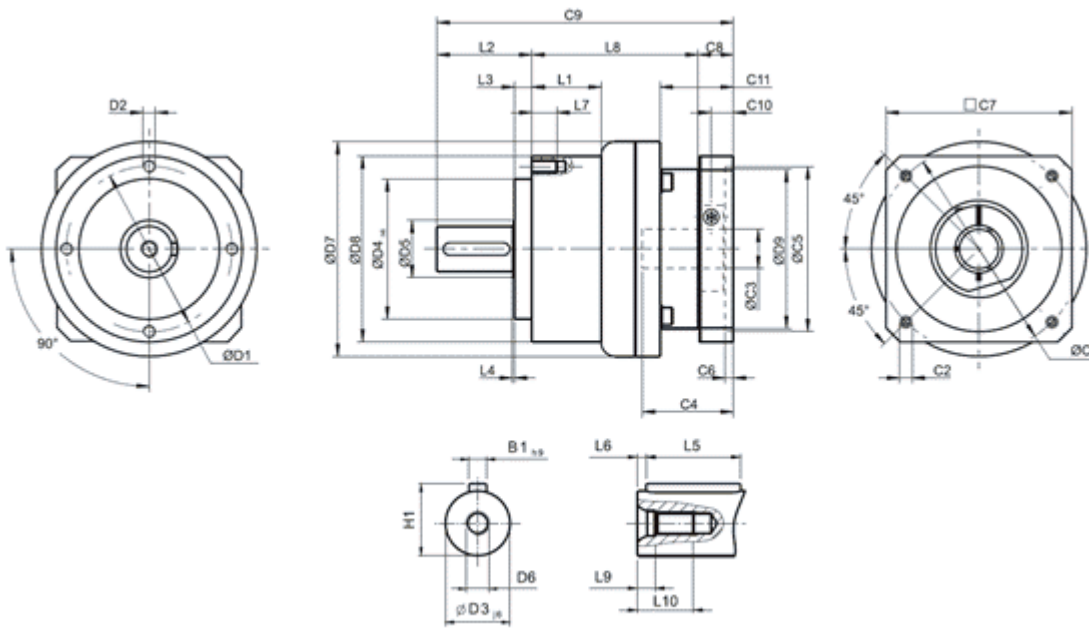
1. Overbrengverhouding (ratio) (i=N in / N out)
 2. Uitge oefend op het midden van de as @ 100 rpm
 3. Maximaal versnellingskoppel T_{2B} = 60% van T_{2NOT}
- * S1 service life 10,000 hrs.

Massatraagheid

Bouwgrootte	Trap	Ratio ¹	AE050	AE070	AE090	AE120	AE155	AE205	AE235
Massatraagheid of inertia J_i	1	3	0.03	0.16	0.61	3.25	9.21	28.98	69.61
		4	0.03	0.14	0.48	2.74	7.54	23.67	54.37
		5	0.03	0.13	0.47	2.71	7.42	23.29	53.27
		6	0.03	0.13	0.45	2.65	7.25	22.75	51.72
		7	0.03	0.13	0.45	2.62	7.14	22.48	50.97
		8	0.03	0.13	0.44	2.58	7.07	22.59	50.84
		9	0.03	0.13	0.44	2.57	7.04	22.53	50.63
		10	0.03	0.13	0.44	2.57	7.03	22.51	50.56
		15	0.03	0.03	0.13	0.47	2.71	7.42	23.29
		20	0.03	0.03	0.13	0.47	2.71	7.42	23.29
	2	25	0.03	0.03	0.13	0.47	2.71	7.42	23.29
		30	0.03	0.03	0.13	0.47	2.71	7.42	23.29
		35	0.03	0.03	0.13	0.47	2.71	7.42	23.29
		40	0.03	0.03	0.13	0.47	2.71	7.42	23.29
		45	0.03	0.03	0.13	0.47	2.71	7.42	23.29
		50	0.03	0.03	0.13	0.44	2.57	7.03	22.51
		60	0.03	0.03	0.13	0.44	2.57	7.03	22.51
		70	0.03	0.03	0.13	0.44	2.57	7.03	22.51
		80	0.03	0.03	0.13	0.44	2.57	7.03	22.51
		90	0.03	0.03	0.13	0.44	2.57	7.03	22.51
100	0.03	0.03	0.13	0.44	2.57	7.03	22.51		

Afmetingen

AE serie 1-traps, ratio i = 3 ~ 10



	AE050	AE070	AE090	AE120	AE155	AE205	AE235
D1	44	62	80	108	140	184	210
D2	M4 X 0.7P	M5 X 0.8P	M6 X 1P	M8 X 1.25P	M10 X 1.5P	M12 X 1.75P	M16 X 2P
D3 _{j6}	12	16	22	32	40	55	75
D4 _{h6}	35	52	68	90	120	160	180
D5	22	22	30	40	75	95	115
D6	M4 X 0.7P	M5 X 0.8P	M8 X 1.25P	M12 X 1.75P	M16 X 2P	M20 X 2.5P	M20 X 2.5P
D7	53	70	104	130	162	205	260
D8	50	70	90	120	155	205	235
D9	45.5	53.4	77	102	125	160	205
L1	--	--	33.5	38	50	--	70
L2	24.5	36	46	70	97	100	126
L3	4	6.5	8.5	17.5	15	15	18
L4	1	1	1	1.5	3	3	3
L5	14	25	32	40	63	70	90
L6	2	2	3	5	5	6	7
L7	8	10	12	16	20	22	28
L8	47	62	80.5	97	119.5	159	175.5
L9	4.5	4.8	7.2	10	12	15	15
L10	10	12.5	19	28	36	42	42
C1 ³	46	70	100	130	165	215	235
C2 ³	M4 X 0.7P	M5 X 0.8P	M6 X 1P	M8 X 1.25P	M10 X 1.5P	M12 X 1.75P	M12 X 1.75P
C3 ³	≤11	*≤14 / ≤16	≤19 / ≤24	≤32	≤38	≤48	≤55
C4 ³	30	34	40	50	60	85	116
C5 ³ _{G6}	30	50	80	110	130	180	200
C6 ³	3.5	8	4	5	6	6	6
C7 ³	48	60	90	115	142	190	220
C8 ³	19.5	19	17	19.5	22.5	29	63
C9 ³	91	117	143.5	186.5	239	288	364.5

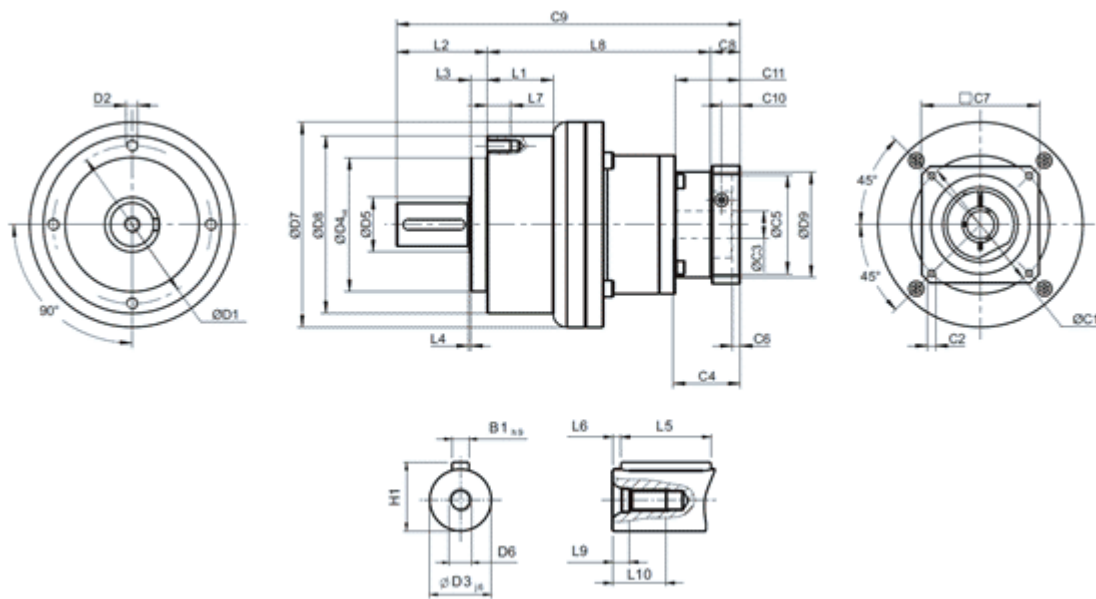
C10 ³	13.25	13.5	10.75	13	15	20.75	53.5
C11 ³	19.5	37	35.5	46	53.5	79.5	106.5
B1 _{h9}	4	5	6	10	12	16	20
H1	14	18	24.5	35	43	59	79.5

3. C1~C10 zijn motor specifieke afmetingen.

* AE070M1 ratio 5,10 biedt C3 =16 optie.

* AE090M1 biedt C3 =24 optie.

AE serie 2-traps, ratio i = 15 ~ 100



	AE050	AE070	AE090	AE120	AE155	AE205	AE235
D1	44	62	80	108	140	184	210
D2	M4 X 0.7P	M5 X 0.8P	M6 X 1P	M8 X 1.25P	M10 X 1.5P	M12 X 1.75P	M16 X 2P
D3 _{j6}	12	16	22	32	40	55	75
D4 _{h6}	35	52	68	90	120	160	180
D5	22	22	30	40	75	95	115
D6	M4 X 0.7P	M5 X 0.8P	M8 X 1.25P	M12 X 1.75P	M16 X 2P	M20 X 2.5P	M20 X 2.5P
D7	53	70	104	130	162	205	260
D8	50	70	90	120	155	205	235
D9	45.5	45.5	53.4	77	102	125	160
L1	--	--	33.5	38	50	--	70
L2	24.5	36	46	70	97	100	126
L3	4	6.5	8.5	17.5	15	15	18
L4	1	1	1	1.5	3	3	3
L5	14	25	32	40	63	70	90
L6	2	2	3	5	5	6	7
L7	8	10	12	16	20	22	28
L8	74	87.5	113.5	138.5	176	214.5	260
L9	4.5	4.8	7.2	10	12	15	15
L10	10	12.5	19	28	36	42	42
C1 ⁴	46	46	70	100	130	165	215
C2 ⁴	M4 X 0.7P	M4 X 0.7P	M5 X 0.8P	M6 X 1P	M8 X 1.25P	M10 X 1.5P	M12 X 1.75P

C3 ⁴	≤11	*≤11 / ≤12	* ≤14 / ≤15.875 / ≤16	≤19 / ≤24	≤32	≤38	≤48
C4 ⁴	30	30	34	40	50	60	85
C5 ⁴ _{G6}	30	30	50	80	110	130	180
C6 ⁴	3.5	3.5	8	4	5	6	6
C7 ⁴	48	48	60	90	115	142	190
C8 ⁴	19.5	19.5	19	17	19.5	22.5	29
C9 ⁴	118	143	178.5	225.5	292.5	337	415
C10 ⁴	13.25	13.25	13.5	10.75	13	15	20.75
C11 ⁴	19.5	19.5	37	35.5	46	53.5	79.5
B1 _{h9}	4	5	6	10	12	16	20
H1	14	18	24.5	35	43	59	79.5

4. C1~C10 zijn motor specifieke afmetingen.

* AE070M1 ratio 15~50 biedt C3 =12 optie.

* AE090M1 ratio 15~50 biedt C3 =16 optie.

* AE090M2 ratio 15~50 biedt C3 =15.875 optie.

* AE120M1 biedt C3 =24 optie.