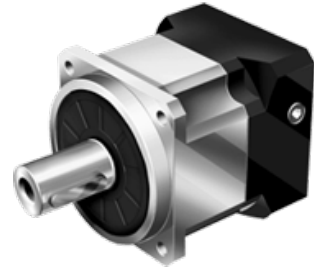


AB serie

Overzicht



- Speciaal ontworpen voor continue bedrijf (S1) of cyclisch bedrijf (S5)
- Roestvast stalen behuizing, aluminium zwart geanodiseerde motor adapterplaat
- Roestvast stalen uitgaande as met of zonder spie, of met spline (DIN5480)
- Schuine vertanding
- Nominale koppels:
 - T_{2N} : 14 Nm – 2000 Nm
- Overbrengverhouding
 - 1-traps : 3 / 4 / 5 / 6 / 7 / 8 / 9 / 10
 - 2-traps : 12 / 15 / 16 / 20 / 25 / 28 / 30 / 32 / 35 / 40 / 45 / 50 / 60 / 70 / 80 / 90 / 100
- Spelingarm
 - 1-traps : ≤ 1 arcmin / ≤ 3 arcmin / ≤ 5 arcmin
 - 2-traps : ≤ 3 arcmin / ≤ 5 arcmin / ≤ 7 arcmin
- Hoog rendement
 - 1-traps : $\geq 97\%$
 - 2-traps : $\geq 94\%$
- Eenvoudige montage
- Laag geluidsniveau
- Compacte bouw
- Bouwgrootte: AB042 / AB060 / AB060A / AB090 / AB090A / AB115 / AB115A / AB142 / AB142A / AB180 / AB220

Specificaties

Bouwgrootte	Trap	Ratio ¹	AB042	AB060	AB060A	AB090	AB090A	AB115	AB115A	AB142	AB142AAB180	AB220			
Nominaal uitgangskoppel T _{2N}	1	3	20	55	-	130	-	208	-	342	-	588	1,140		
		4	19	50	-	140	-	290	-	542	-	1,050	1,700		
		5	22	60	-	160	-	330	-	650	-	1,200	2,000		
		6	20	55	-	150	-	310	-	600	-	1,100	1,900		
		7	19	50	-	140	-	300	-	550	-	1,100	1,800		
		8	17	45	-	120	-	260	-	500	-	1,000	1,600		
		9	14	40	-	100	-	230	-	450	-	900	1,500		
		10	14	40	-	100	-	230	-	450	-	900	1,500		
		12	19	50	50	140	140	290	290	542	542	1,050	1,700		
		15	20	55	55	130	130	208	208	342	342	588	1,140		
	16	19	50	50	140	140	290	290	542	542	1,050	1,050			
	20	19	50	50	140	140	290	290	542	542	1,050	1,700			
	25	22	60	60	160	160	330	330	650	650	1,200	2,000			
	28	19	50	50	140	140	300	300	550	550	1,100	1,800			
	30	20	55	55	150	150	310	310	600	600	1,100	1,900			
	32	17	45	45	120	120	260	260	500	500	1,000	1,600			
	35	19	50	50	140	140	300	300	550	550	1,100	1,800			
	40	17	45	45	120	120	260	260	500	500	1,000	1,600			
	45	14	40	40	100	100	230	230	450	450	900	1,500			
	50	22	60	60	160	160	330	330	650	650	1,200	2,000			
	60	20	55	55	150	150	310	310	600	600	1,100	1,900			
	70	19	50	50	140	140	300	300	550	550	1,100	1,800			
	80	17	45	45	120	120	260	260	500	500	1,000	1,600			
	90	14	40	40	100	100	230	230	450	450	900	1,500			
	100	14	40	40	100	100	230	230	450	450	900	1,500			
	Noodstop koppel T _{2NOT} 3	Nm	1,2	3~100	3 keer Nominaal koppel T _{2N}										
	Nominaal Ingangssnelheid N _{IN}	rpm	1,2	3~100	5,000	5,000	5,000	4,000	4,000	4,000	4,000	3,000	3,000	3,000	2,000
	Max. Ingangssnelheid N _{IB}	rpm	1,2	3~100	10,000	10,000	10,000	8,000	8,000	8,000	8,000	6,000	6,000	6,000	4,000
Micro verdraaispeling P0	arcmin	1	3~10	≤ 1	≤ 1	-	≤ 1	-	≤ 1	-	≤ 1	-	≤ 1	≤ 1	
		2	15~100	≤ 3	≤ 3	-	≤ 3	-	≤ 3	≤ 3	≤ 3	≤ 3	≤ 3	≤ 3	
Gereduceerde verdraaispeling P1	arcmin	1	3~10	≤ 3	≤ 3	-	≤ 3	-	≤ 3	-	≤ 3	-	≤ 3	≤ 3	
		2	15~100	≤ 5	≤ 5	≤ 5	≤ 5	≤ 5	≤ 5	≤ 5	≤ 5	≤ 5	≤ 5	≤ 5	
Standaard verdraaispeling P2	arcmin	1	3~10	≤ 5	≤ 5	-	≤ 5	-	≤ 5	-	≤ 5	-	≤ 5	≤ 5	
		2	15~100	≤ 7	≤ 7	≤ 7	≤ 7	≤ 7	≤ 7	≤ 7	≤ 7	≤ 7	≤ 7	≤ 7	
Torsie stijfheid	Nm/arcmin	1,2	3~100	3	7	7	14	14	25	25	50	50	145	225	
Max. radiale last F _{2rB2}	N	1,2	3~100	780	1,530	1,530	3,250	3,250	6,700	6,700	9,400	9,400	14,500	55,000	
Max. axiale last F _{2a2B2}	N	1,2	3~100	390	765	765	1,625	1,625	3,350	3,350	4,700	4,700	7,250	25,000	
Service Life	hr	1,2	3~100	20,000 *											
Rendement	%	1	3~10	≥ 97 %											
		2	15~100	≥ 94 %											
Gewicht	kg	1	3~10	0.5	1.3	-	3.7	-	7.8	-	14.5	-	29	48	
		2	15~100	0.8	1.5	1.9	4.1	5.3	9	11.4	17.5	20.7	33	60	
Bedrijfstemperatuur	°C	1,2	3~100	-10°C~+90°C											
Smeermiddel		1,2	3~100	synthetisch tandwiel smeermiddel (NYOGEL 792D)											
Beschermingsklasse		1,2	3~100	IP65											
Montage positie		1,2	3~100	alle richtingen											
Geluidsniveau (n ₁ =3000 rpm,NoLoad)	dB(A)	1,2	3~100	≤ 56	≤ 58	≤ 60	≤ 60	≤ 63	≤ 63	≤ 65	≤ 65	≤ 67	≤ 67	≤ 70	

1. Overbrengverhouding (ratio) (i=N in / N out)
2. Uitgevoerd op het midden van de as @ 100 rpm
3. Maximaal versnellingskoppel T_{2B} = 60% van T_{2NOT}

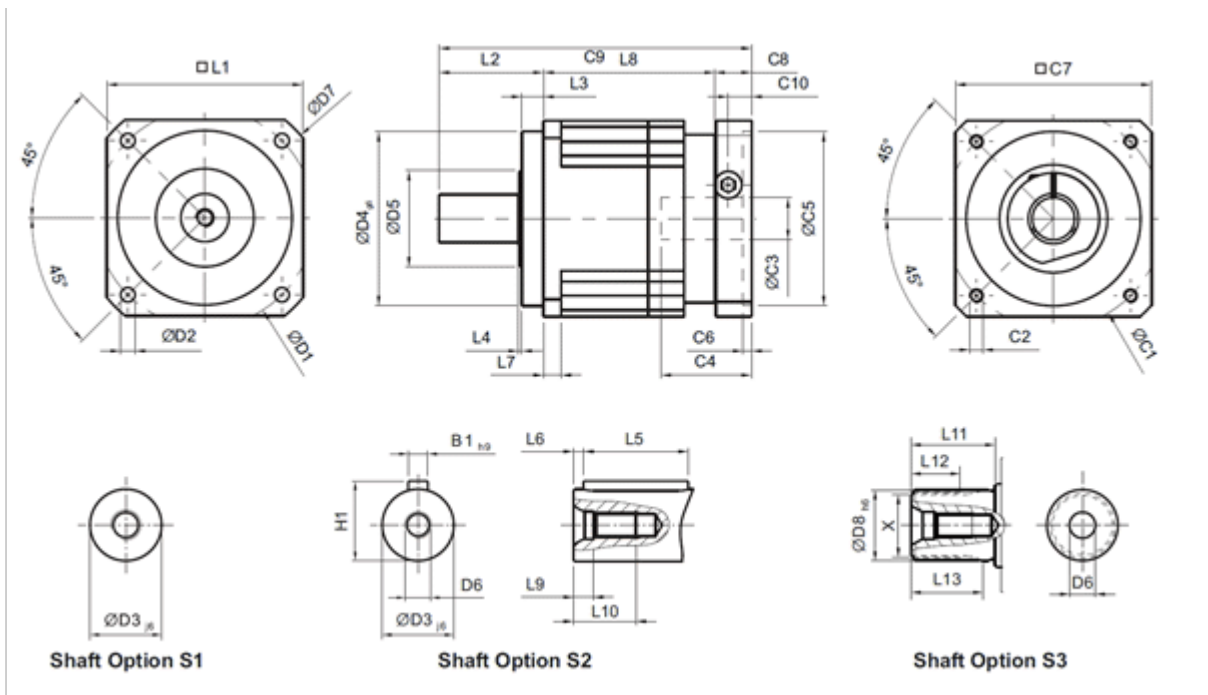
* S1 service life 10.000 uur.

Massatraagheid

Bouwgrootte	Trap	Ratio ¹	AB042	AB060	AB060A	AB090	AB090A	AB115	AB115AAB142	AB142A	AB180	AB220		
Massatraagheid of inertia J _i	1	3	0.03	0.16	-	0.61	-	3.25	-	9.21	-	28.98	69.61	
		4	0.03	0.14	-	0.48	-	2.74	-	7.54	-	23.67	54.37	
		5	0.03	0.13	-	0.47	-	2.71	-	7.42	-	23.29	53.27	
		6	0.03	0.13	-	0.45	-	2.65	-	7.25	-	22.75	51.72	
		7	0.03	0.13	-	0.45	-	2.62	-	7.14	-	22.48	50.97	
		8	0.03	0.13	-	0.44	-	2.58	-	7.07	-	22.59	50.84	
		9	0.03	0.13	-	0.44	-	2.57	-	7.04	-	22.53	50.63	
		10	0.03	0.13	-	0.44	-	2.57	-	7.03	-	22.51	50.56	
		12	0.03	0.03	0.16	0.16	0.61	0.61	3.25	3.25	9.21	9.21	28.98	
		15	0.03	0.03	0.13	0.13	0.47	0.47	2.71	2.71	7.42	7.42	23.29	
	16	0.03	0.03	0.14	0.14	0.48	0.48	2.74	2.74	7.54	7.54	23.67		
	20	0.03	0.03	0.13	0.13	0.47	0.47	2.71	2.71	7.42	7.42	23.29		
	25	0.03	0.03	0.13	0.13	0.47	0.47	2.71	2.71	7.42	7.42	23.29		
	28	0.03	0.03	0.14	0.14	0.48	0.48	2.74	2.74	7.54	7.54	23.67		
	30	0.03	0.03	0.13	0.13	0.47	0.47	2.71	2.71	7.42	7.42	23.29		
	32	0.03	0.03	0.14	0.14	0.48	0.48	2.74	2.74	7.54	7.54	23.67		
	35	0.03	0.03	0.13	0.13	0.47	0.47	2.71	2.71	7.42	7.42	23.29		
	40	0.03	0.03	0.13	0.13	0.47	0.47	2.71	2.71	7.42	7.42	23.29		
	45	0.03	0.03	0.13	0.13	0.47	0.47	2.71	2.71	7.42	7.42	23.29		
	50	0.03	0.03	0.13	0.13	0.44	0.44	2.57	2.57	7.03	7.03	22.51		
	60	0.03	0.03	0.13	0.13	0.44	0.44	2.57	2.57	7.03	7.03	22.51		
	70	0.03	0.03	0.13	0.13	0.44	0.44	2.57	2.57	7.03	7.03	22.51		
	80	0.03	0.03	0.13	0.13	0.44	0.44	2.57	2.57	7.03	7.03	22.51		
	90	0.03	0.03	0.13	0.13	0.44	0.44	2.57	2.57	7.03	7.03	22.51		
	100	0.03	0.03	0.13	0.13	0.44	0.44	2.57	2.57	7.03	7.03	22.51		

Afmetingen

AB serie 1-traps, ratio $i = 3\sim 10$



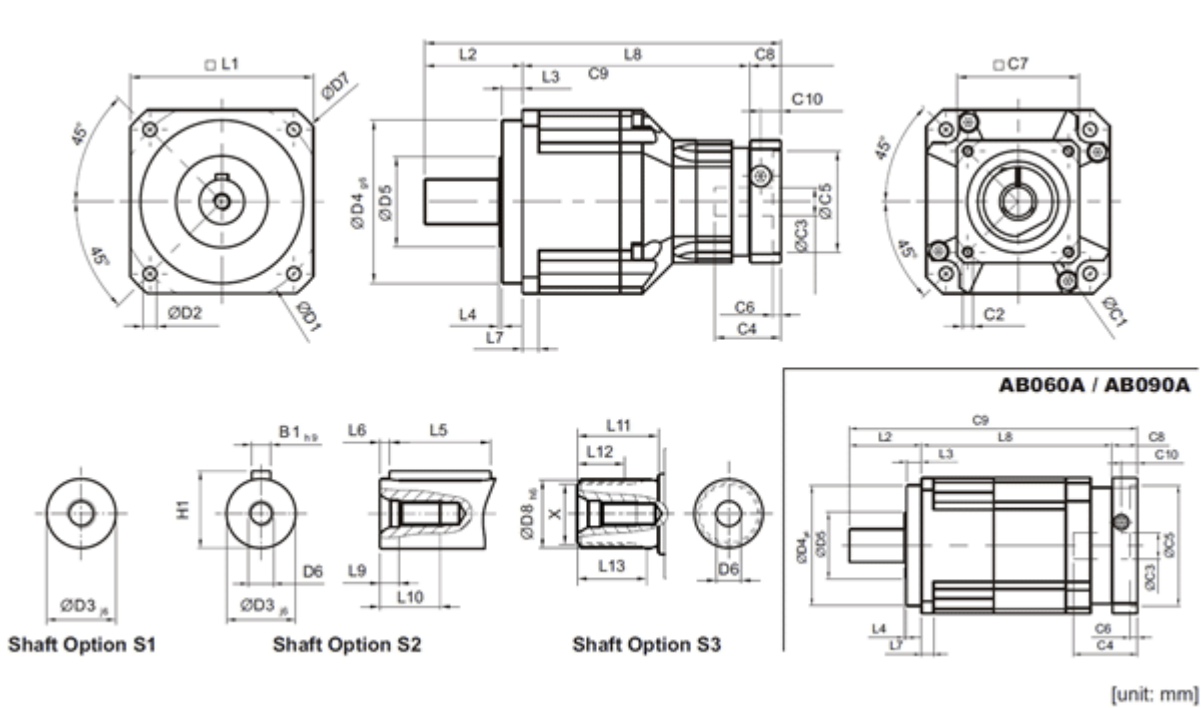
	AB042	AB060	AB090	AB115	AB142	AB180	AB220
D1	50	70	100	130	165	215	250
D2	3.4	5.5	6.6	9	11	13	17
D3 _{g6}	13	16	22	32	40	55	75
D4 _{g6}	35	50	80	110	130	160	180
D5	22	45	60	80	75	95	115
D6	M4 X 0.7P	M5 X 0.8P	M8 X 1.25P	M12 X 1.75P	M16 X 2P	M20 X 2.5P	M20 X 2.5P
D7	56	80	116	152	185	240	292
L1	42	60	90	115	142	180	220
L2	26	37	48	65	97	105	138
L3	5.5	7	10	12	15	20	30
L4	1	1.5	1.5	2	3	3	3
L5	16	25	32	40	63	70	90
L6	2	2	3	5	5	6	7
L7	4	6	8	10	12	15	20
L8	31	61	78.5	102	119.5	154	163.5
L9	4.5	4.8	7.2	10	12	15	15
L10	10	12.5	19	28	36	42	42
C1 ³	46	70	100	130	165	215	235
C2 ³	M4 X 0.7P	M5 X 0.8P	M6 X 1P	M8 X 1.25P	M10 X 1.5P	M12 X 1.75P	M12 X 1.75P
C3 ³	≤11	*≤14 / ≤16	≤19 / ≤24	≤32	≤38	≤48	≤55
C4 ³	25	34	40	50	60	85	116
C5 ³ _{G6}	30	50	80	110	130	180	200
C6 ³	3.5	8	4	5	6	6	6
C7 ³	42	60	90	115	142	190	220
C8 ³	29.5	19	17	19.5	22.5	29	63
C9 ³	86.5	117	143.5	186.5	239	288	364.5
C10 ³	8.75	13.5	10.75	13	15	20.75	53
B1 _{h9}	5	5	6	10	12	16	20
H1	15	18	24.5	35	43	59	79.5

3. C1~C10 zijn motor specifieke afmetingen.

* AB060M1 ratio 5,10 biedt C3 =16 optie.

* AB90M1 biedt C3 =24 optie.

AB serie 2-traps, ratio i- 15~100



	AB042	AB060	AB060A	AB090	AB090A	AB115	AB115A	AB142	AB142A	AB180	AB220
D1	50	70		100		130		165		215	250
D2	3.4	5.5		6.6		9		11		13	17
D3 _{g6}	13	16		22		32		40		55	75
D4 _{g6}	35	50		80		110		130		160	180
D5	22	45		65		95		75		95	115
D6	M4 X 0.7P	M5 X 0.8P		M8 X 1.25P		M12 X 1.75P		M16 X 2P		M20 X 2.5P	M20 X 2.5P
D7	56	80		116		152		185		240	292
L1	42	60		90		115		142		180	220
L2	26	37		48		65		97		105	138
L3	5.5	7		10		12		15		20	30
L4	1	1.5		1.5		2		3		3	3
L5	16	25		32		40		63		70	90
L6	2	2		3		5		5		6	7
L7	4	6		8		10		12		15	20
L8	58.5	72	98	111.5	126.5	143.5	163	176	191	209.5	248
L9	4.5	4.8		7.2		10		12		15	15
L10	10	12.5		19		28		36		42	42
L11	-		26		26		26		40	41.5	52
L12	-		15		15		15		20	21.5	28
L13	-		21		22.5		23		33.5	33.5	45
C1 ¹	46	46	70	70	100	100	130	130	165	165	215
C2 ⁴	M4 X 0.7P	M4 X 0.7P	M5 X 0.8P	M5 X 0.8P	M6 X 1P	M6 X 1P	M8 X 1.25P	M8 X 1.25P	M10 X 1.5P	M10 X 1.5P	M12 X 1.75P
C3 ²	≤ 11	* ≤ 11 / ≤ 12	≤ 14 / ≤ 16	* ≤ 14 / ≤ 15.875 / ≤ 16	≤ 19 / ≤ 24	≤ 19 / ≤ 24	≤ 32	≤ 32	≤ 38	≤ 38	≤ 48
C4 ⁴	25	25	34	34	40	40	50	50	60	60	85
C5 ^{1 g6}	30	30	50	50	80	80	110	110	130	130	180
C6 ⁴	3.5	3.5	8	8	4	4	5	5	6	6	6
C7 ⁴	42	42	60	60	90	90	115	115	142	142	190
C8 ⁴	29.5	29.5	19	19	17	17	19.5	19.5	22.5	22.5	29
C9 ⁴	114	138.5	154	178.5	191.5	225.5	247.5	292.5	310.5	337	415
C10 ⁴	8.75	8.75	13.5	13.5	10.75	10.75	13	13	15	15	20.75
B1 _{h9}	5	5		6		10		10	12	12	20
H1	15	18		24.5		35		35	43	43	79.5

4. C1~C10 zijn motor specifieke afmetingen.

* AB060M1 ratio 15~50 biedt C3 =12 optie.

- * AB060AM1 biedt C3 =16 optie.
- * AB090M1 ratio 15~50 biedt C3 =16 optie.
- * AB090M2 ratio 15~50 biedt C3 =15.875 optie.
- * AB090AM1 biedt C3 =24 optie.
- * AB115M1 biedt C3 =24 optie.